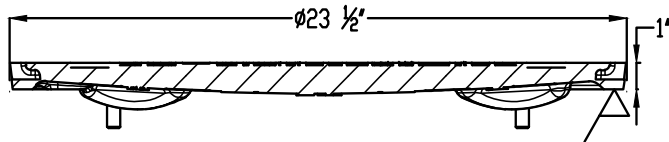
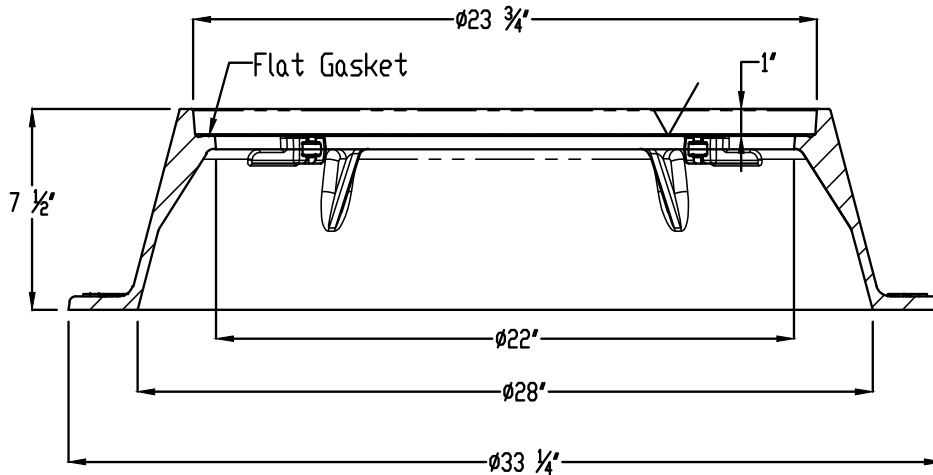
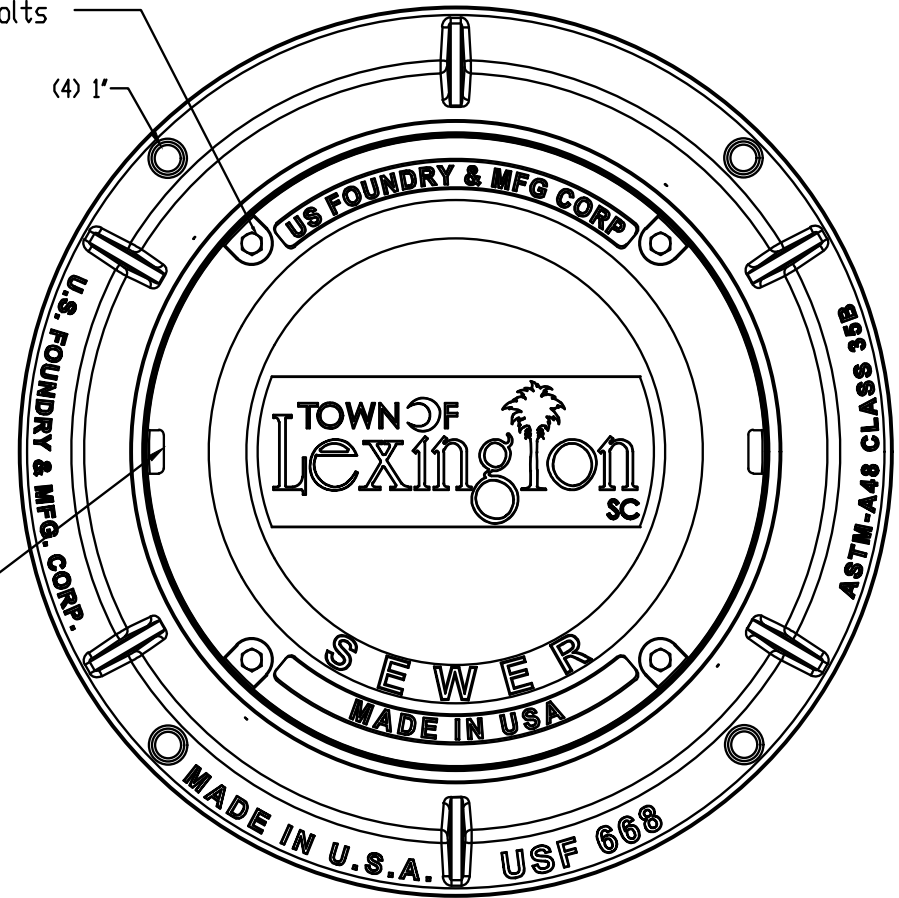


WATERTIGHT MANHOLE FRAME AND COVER


(4) \emptyset 1/2"-13 Hex Hd Bolts



(2) NPPH



TOWN OF LEXINGTON ENGINEERING/PLANNING

 US FOUNDRY AN EAGLE MANUFACTURING COMPANY		8351 NW 93rd Street Medley, FL, 33166-2025 ph: 1-800-432-9709 fax: 305-887-9429 www.usfoundry.com	
		©2019 All Rights Reserved	
USF 668 Ring & YF Cover BWT, 2npph			
ITEM	BAAN #	MATERIAL	
Ring	8021865	Gray Cast Iron	
Cover	8015461	ASTM-A48 Class 35B	
		LOAD CLASSIFICATION	
		Heavy Duty	
Assembly	8026109		
REV	REV DATE	REV BY	DRAWN DATE
01			11/17/2019
		DRAWN BY	ROUTE #
		IF	