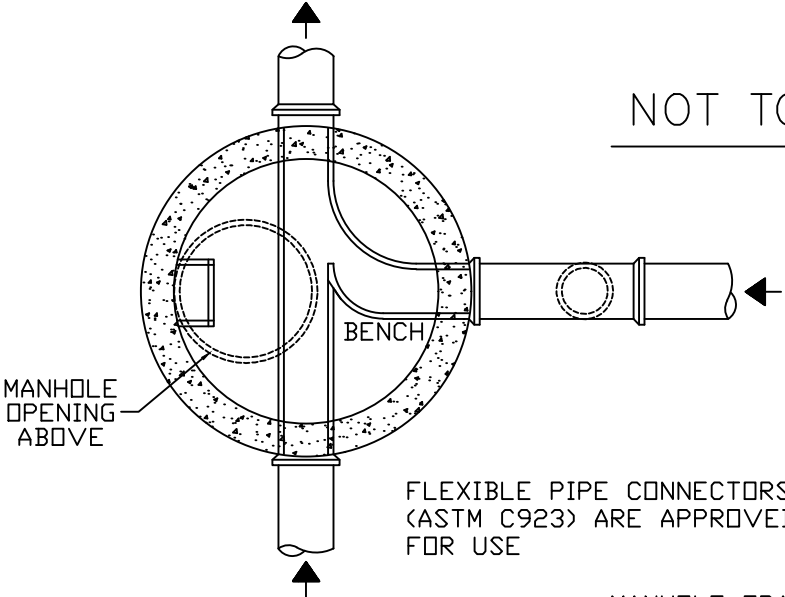


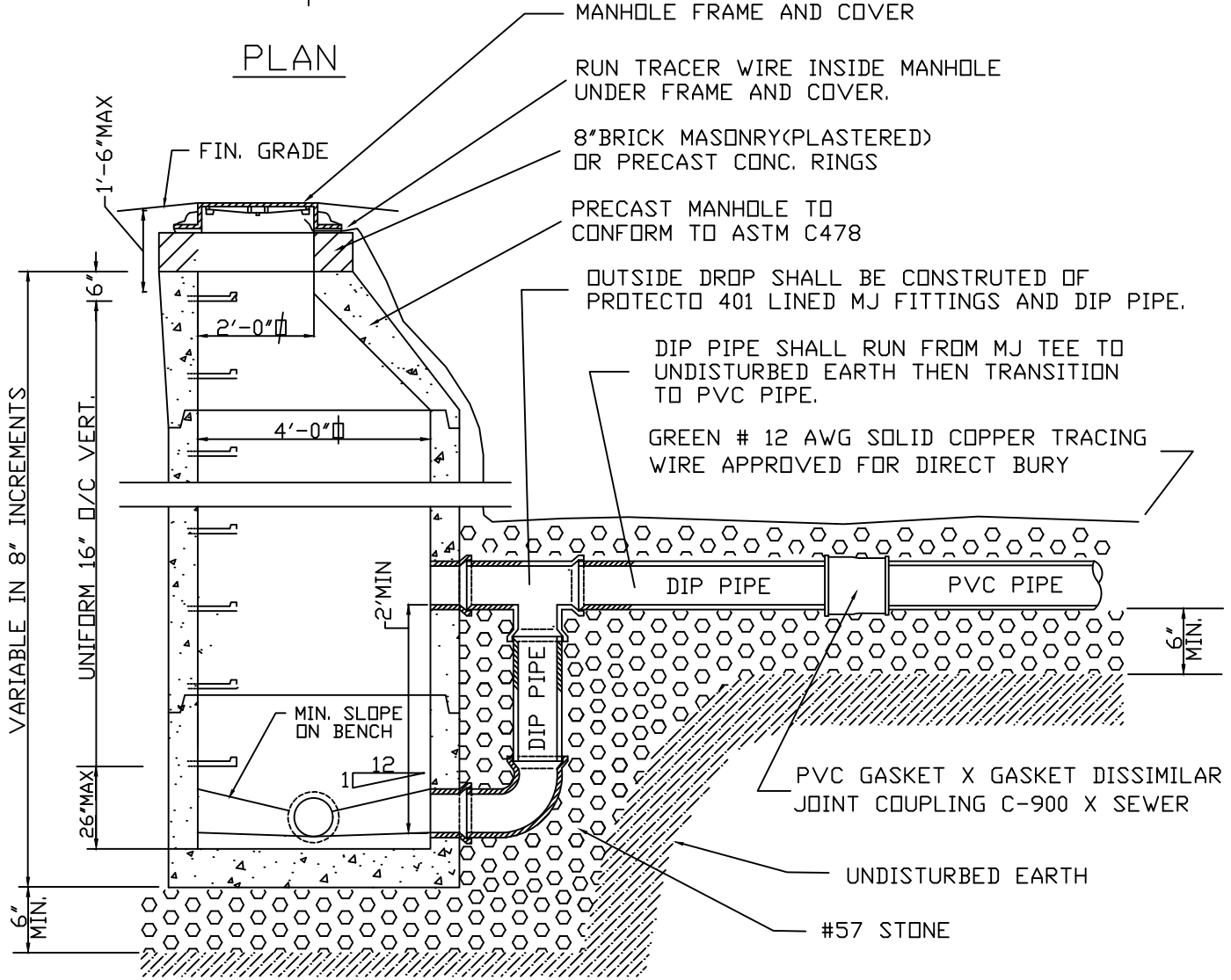
STANDARD SANITARY OUTSIDE DROP MANHOLE

NOT TO SCALE



FLEXIBLE PIPE CONNECTORS
(ASTM C923) ARE APPROVED
FOR USE

PLAN



SECTION

REVISED: JULY 2019