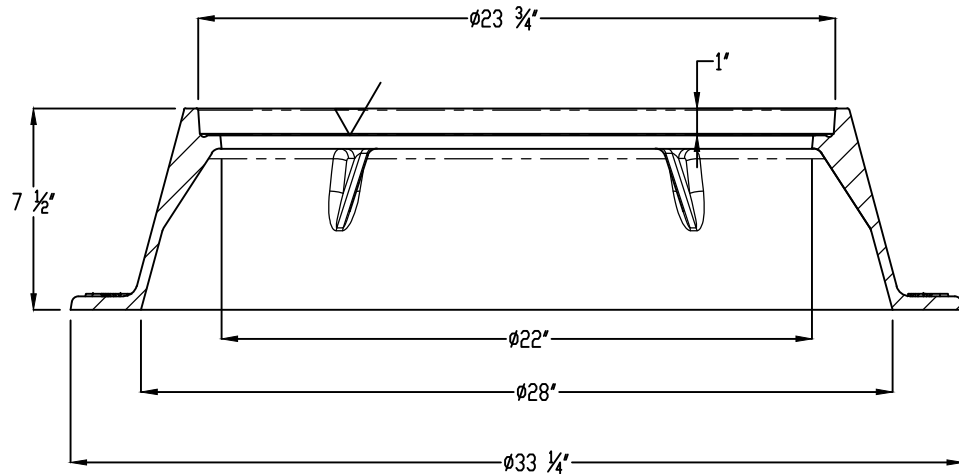
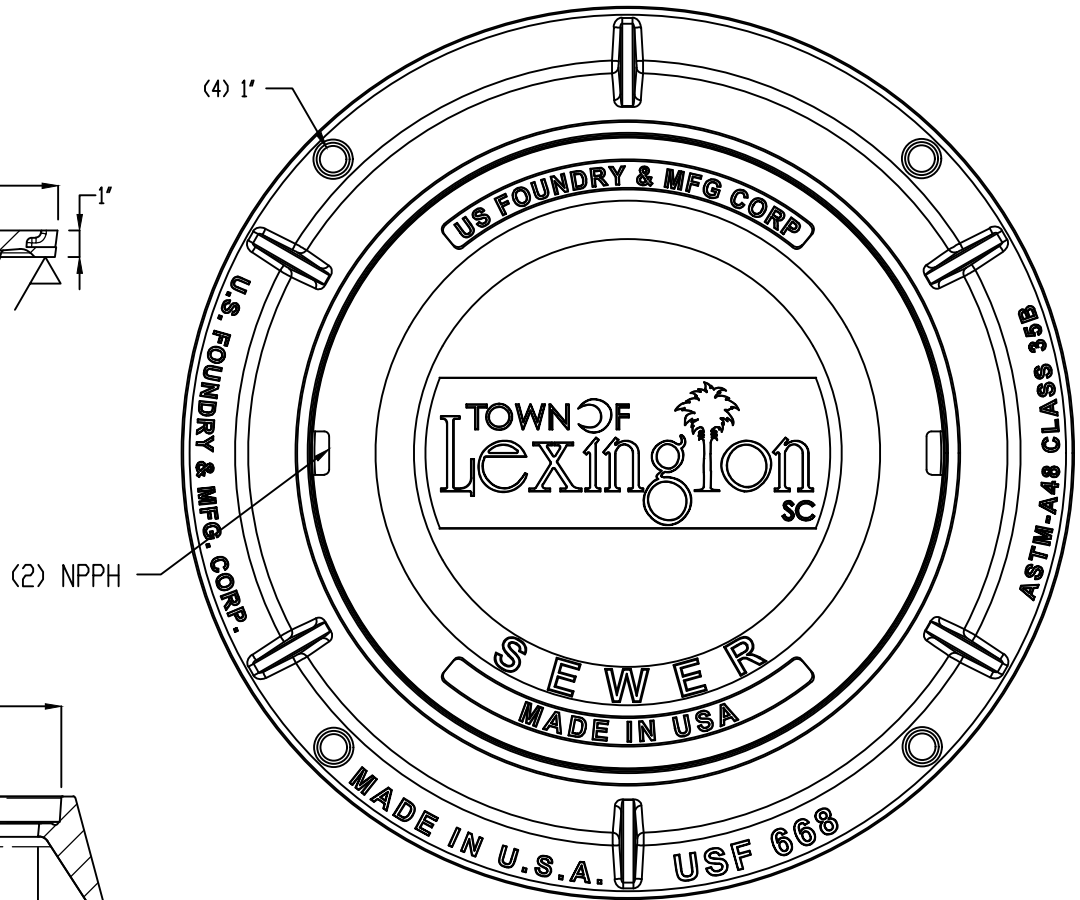
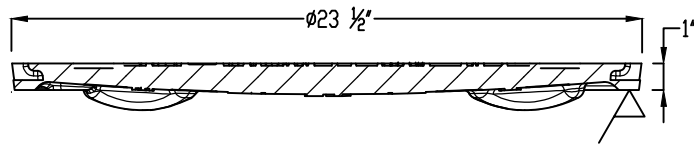



MANHOLE FRAME AND COVER



TOWN OF LEXINGTON ENGINEERING/PLANNING

 US FOUNDRY AN EAGLE MANUFACTURING COMPANY ©2019 All Rights Reserved		8351 NW 93rd Street Medley, FL, 33166-2025 ph: 1-800-432-9709 fax: 305-887-9429 www.usfoundry.com
USF 668 Ring & YF Cover 2npph		
ITEM	BAAN #	MATERIAL
Ring	8021558	Gray Cast Iron
Cover	8015392	ASTM-A48 Class 35B
		LOAD CLASSIFICATION
		Heavy Duty
Assembly	8026067	
REV 0	REV DATE	REV BY
	8/8/2019	ULS