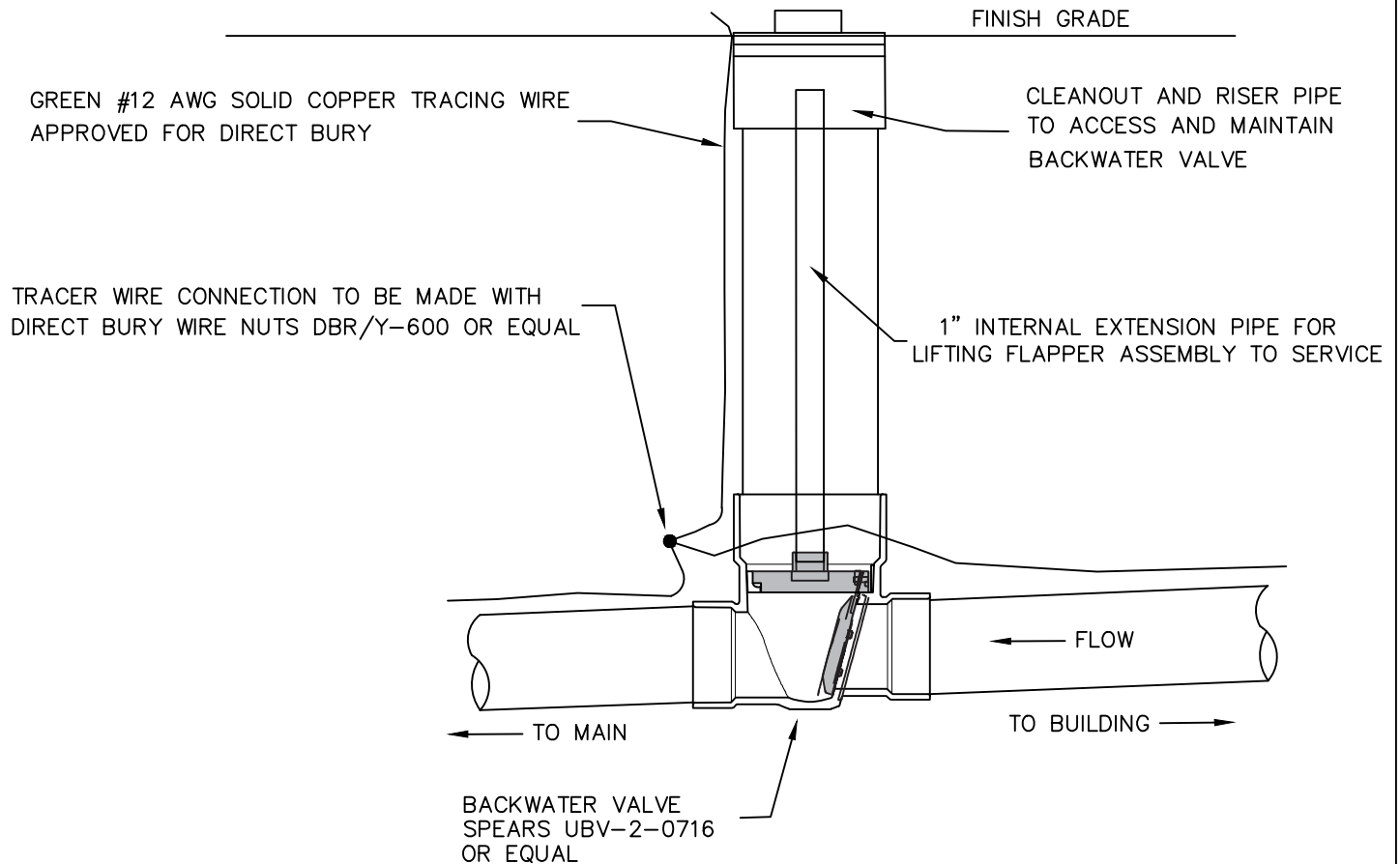


BACKWATER VALVE



NOT TO SCALE

NOTES:

1. BACKWATER VALVES ARE REQUIRED ON ALL SEWER SERVICE CONNECTIONS TO THE TOWN OF LEXINGTON'S SEWER SYSTEM.
2. GREEN #12 AWG SOLID COPPER TRACING WIRE APPROVED FOR DIRECT BURY SHALL BE RAN WITH SERVICE LINE FROM MAIN TO BUILDING AND BROUGHT UP TO FINISHED GRADE AT ALL CLEANOUTS TO ALLOW FOR THE CONNECTION OF LOCATING EQUIPMENT. TRACER WIRE CONNECTIONS SHALL BE MADE WITH DIRECT BURY WIRE NUTS DBR/Y-600 OR EQUAL.
3. ALL SEWER SERVICE LINES AND CONNECTIONS MUST BE VISUALLY INSPECTED BY THE TOWN OF LEXINGTON UTILITY DEPARTMENT (803 359-2434) BEFORE ANY PORTION OF SERVICE LINE IS COVERED WITH BACKFILL.