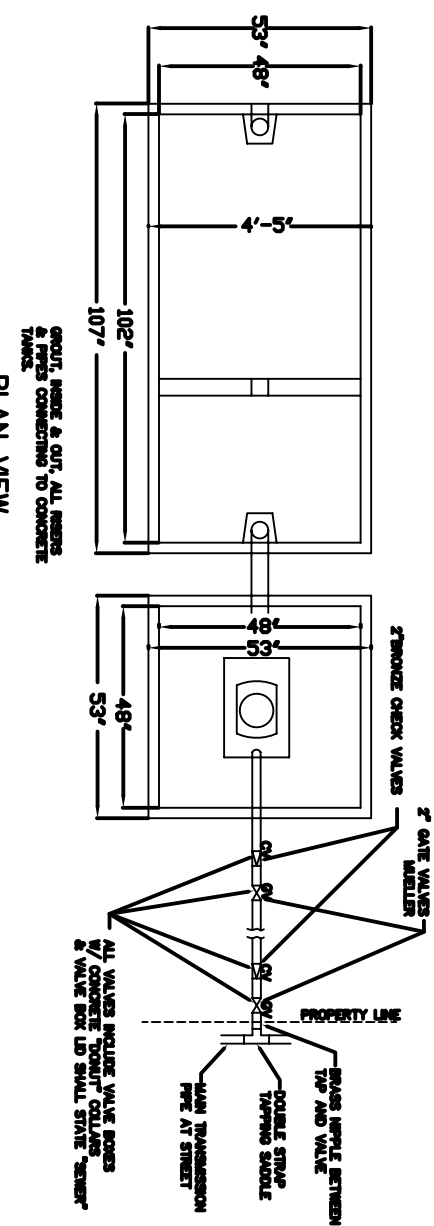


PUMP DETAIL

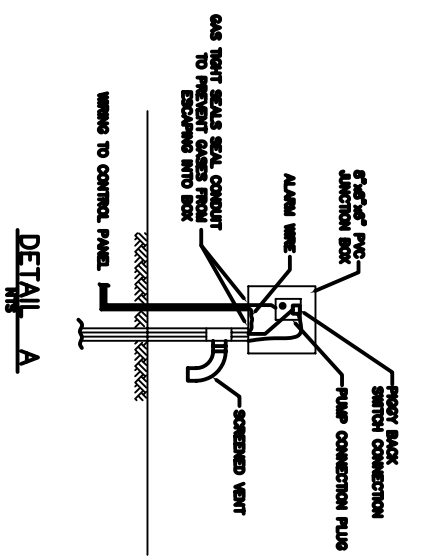
1. EFFLUENT PUMP - THE PUMP SHALL BE INSTALLED IN ACCORDANCE WITH THIS DETAIL AND IN ACCORDANCE WITH THE MANUFACTURER'S RECOMMENDATION. THE PUMP MUST BE ABLE TO PUMP 10 GPM @ 80 TO 115 FEET OF HEAD DEPENDING ON THE DIMENSIONS OF THE SYSTEM. THE PUMP SHALL BE ONE OF THE FOLLOWING:
 - GRS 20W, 14.2HP
 - GULDS MODEL 3883 WE1812H, 14.1HP
 - BEMCO MODEL 8085AL 87251P, 14HP
 - FANROY DABE 8085AL 87251P, 14HP
2. PUMP CONTROL - THE CONTROLS SHALL CONSIST OF AN ON/ OFF FLOAT SET IN ACCORDANCE WITH THE DETAIL. THERE SHALL ALSO BE HIGH WATER ALARM FLOAT LOCATED AS SHOWN ON THE DETAIL. THIS FLOAT SHALL ACTIVATE A BELL AND A FLASHING RED LIGHT, THERE SHALL BE A RESET SWITCH LOCATED ON THE CONTROL BOX TO DEENERGIZE THE ALARM SYSTEM. ONCE IT HAS BEEN ACTIVATED, A LOCKABLE WEATHERPROOF CONTROL BOX SHALL BE PROVIDED. ALL CONNECTION PORTS SHALL HAVE GASTIGHT SEALS BY C.E. TAYLOR & SONS, INC., LEXINGTON, S.C.; LUCAS SEPTIC SERVICE, LEXINGTON, S.C.; SHAWEE'S SEPTIC TANK SERVICE, GASTON, S.C.; OR APPROVED EQUIV. - 1025 GALLON PRECAST CONCRETE TWO COMPARTMENT TANK SUPPLIED BY C.E. TAYLOR & SONS, INC., LEXINGTON, S.C.; LUCAS SEPTIC SERVICE, LEXINGTON, S.C.; SHAWEE'S SEPTIC TANK SERVICE, GASTON, S.C.; OR APPROVED EQUIV. - 500 GALLON PRECAST CONCRETE SINGLE COMPARTMENT TANK SUPPLIED BY C.E. TAYLOR & SONS, INC., LEXINGTON, S.C.; SHAWEE'S SEPTIC TANK SERVICE, GASTON, S.C.; LUCAS SEPTIC TANK SERVICE, LEXINGTON, S.C.; OR APPROVED EQUIV. BEFORE ALLOWING ANY FLOW TO ENTER THIS SYSTEM, THE CONTRACTOR SHALL ARRANGE TO HAVE A FINAL INSPECTION BY THE TOWN OF LEXINGTON (903-359-8610)
3. SEPTIC TANK
4. PUMP BASIN
5. INSPECTION
6. PIPE
 - ALL PIPE SHALL BE SCHEDULE 80 PVC. TRACER WIRE (#12 COPPER WIRE WITH GREEN INSULATION) SHALL BE INSTALLED ALONG THE BURIED PIPE ROUTE FROM THE GATE VALVE NEAR THE PUMP TANK TO THE GATE VALVE AT THE TAP. THE TRACER WIRE SHALL BE CONTINUOUS, IN ONE PIECE, AND SHALL BE PULLED UP AT EACH VALVE BOX FOR ACCESSIBILITY.
7. ELECTRICAL
 - ALL ELECTRICAL WORK SHALL BE PERFORMED IN ACCORDANCE WITH ALL APPLICABLE CODES. A LICENSED ELECTRICIAN SHALL MAKE THE FINAL CONNECTION TO THE POWER AND GROUND THAT ALL WIRING AND CONTROLS ARE IN ACCORDANCE WITH ALL APPLICABLE CODES. A GAS TIGHT SEAL SHALL BE MADE BETWEEN THE ELECTRICAL CONNECTION BOX AND THE CONDUIT LEADING TO THE PUMP CHAMBER.
8. WARRANTY
 - THE GENERAL CONTRACTOR SHALL AGREE TO PROVIDE A ONE YEAR WARRANTY TO THE HOMEOWNER ON ALL EQUIPMENT AND WORKMANSHIP FOR THE INSTALLATION OF THIS SYSTEM.

NOTES

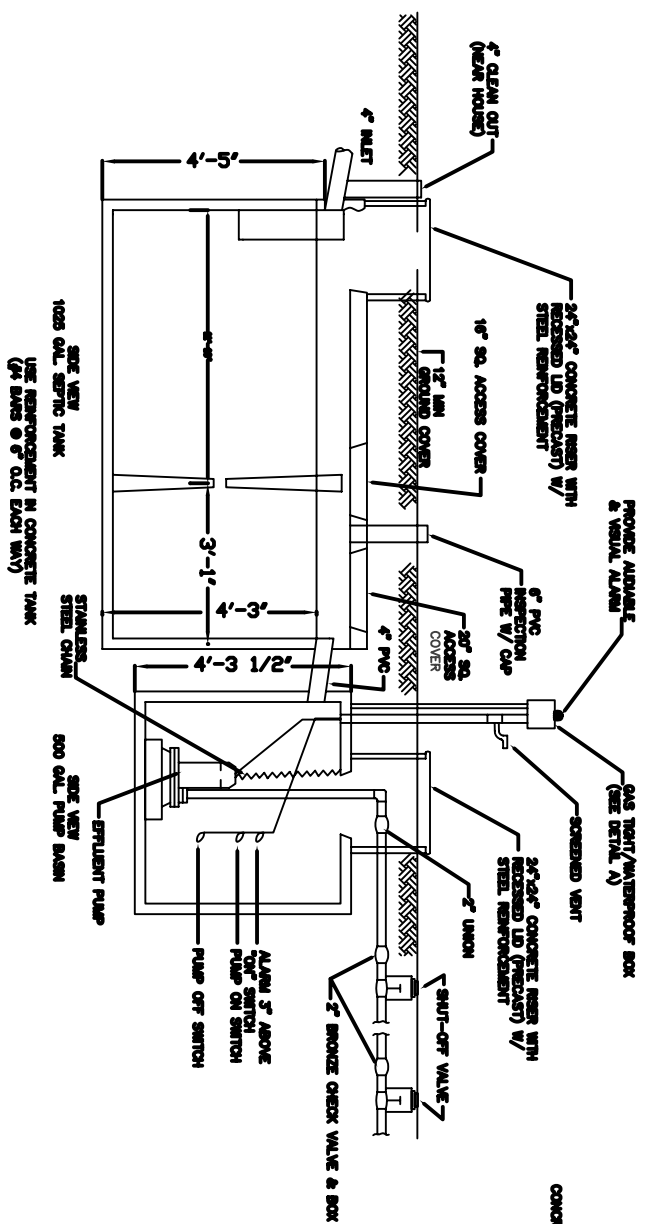
1. THE CONTRACTOR SHALL VERIFY THE LOCATION OF ALL EXISTING UTILITIES (BOTH VERTICALLY AND HORIZONTALLY) PRIOR TO STARTING CONSTRUCTION.
2. THE CONTRACTOR IS RESPONSIBLE FOR ANY REROUTING AROUND EXISTING UTILITIES, DAMAGE TO EXISTING UTILITIES AND DISRUPTION OF SERVICE SHALL BE THE SOLE RESPONSIBILITY OF THE CONTRACTOR. NO EXISTING UTILITIES ARE SHOWN ON THIS PLAN.
3. THIS SYSTEM WILL NOT BE ALLOWED TO OPERATE UNTIL A HOMEOWNER AGREEMENT IS SIGNED WITH THE TOWN OF LEXINGTON AND ALL APPLICABLE FEES ARE PAID. THIS AGREEMENT INCLUDES AN EASEMENT AND ALLOWS THE TOWN OF LEXINGTON OFFICIALS TO INSPECT AND ALLOW THE SYSTEM AS NEEDED.
4. THE CONTRACTOR, OR SUB-CONTRACTOR, INSTALLING THE SYSTEM SHALL BE PROPERLY LICENSED.



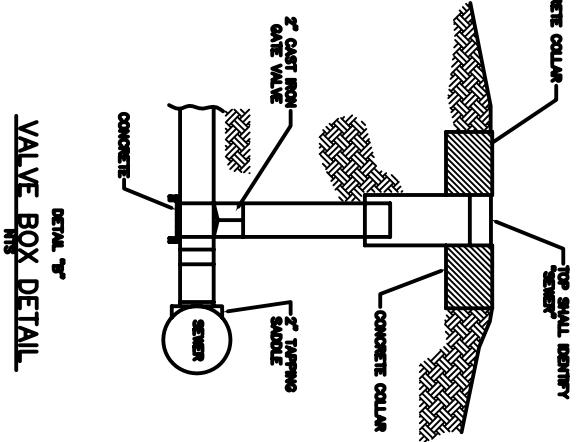
PLAN VIEW



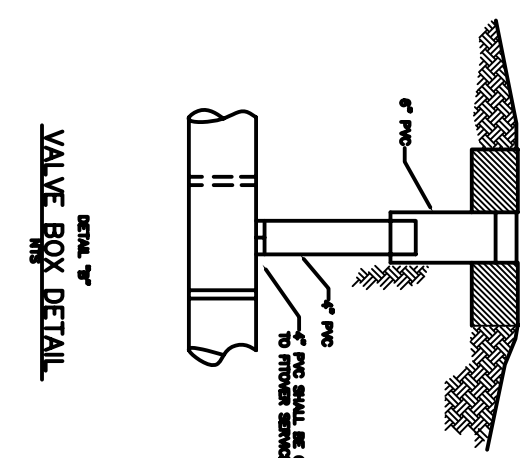
DETAIL A



DUAL TANK INSTALLATION



VALVE BOX DETAIL



VALVE BOX DETAIL